

# Pitch Roof Solar Mounting Solutions

- > Premium materials
- > Precision without cutting
- > Pre-assembled & height adjustable
- > Full warranties & first-class service
- > All improved & patented

# Content

Rail system	1-2
L foot	3
Hanger bolt	4
Mini Rail	5-6
Standing seam clamp	7-18
Tile Roof Attachment	19-20
Earthing Accessory	21-22
Solar Cable Clip	22
Solar Connector	23
Solar Cable	24



Manufacturing facilities for both aluminum and steel products



Experienced team since 2010



Global service



Direct racking supply



Design standard:  
AS1170.2:2011,  
JIS C 8955:2011,  
UL 1703/2703



10 Years warranty

## About us

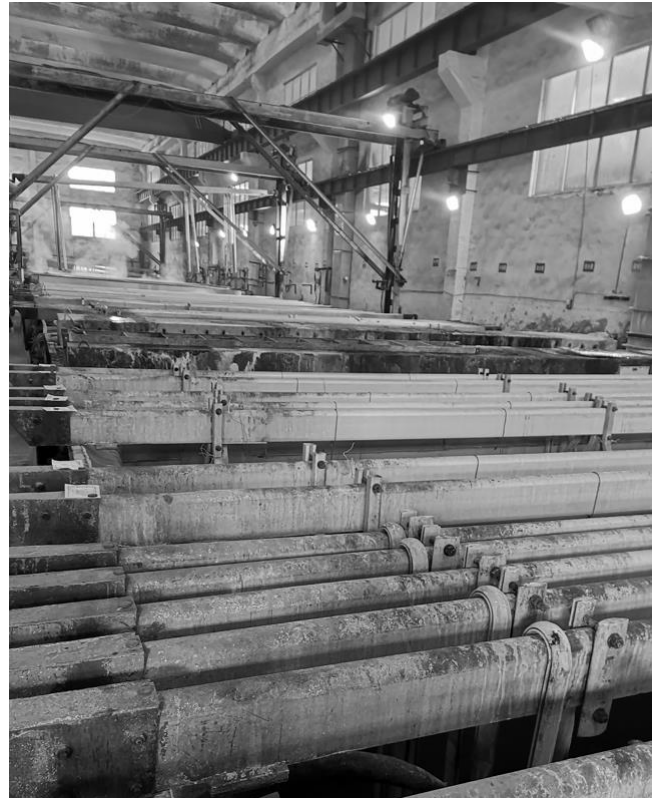
### WOCHN Green Energy Co.,Ltd

WOCHN Energy is a high-tech company which specializes in designing, manufacturing, selling solar mounting system. Headquartered in Shanghai, WOCHN has invested two factories in Jiangsu & Zhejiang. WOCHN built partnerships with distributors overseas and keep expanding its sale network in worldwide.

WOCHN's products and services have become synonymous with quality and innovation, delivering a wide range of solutions to the industry, its professional and friendly service is globally renowned by customers.

WOCHN offering innovative design and integrative settlement solution to our customers based on years of experiences on design, production and sale. We achieved good trust from customers because of our stable and excellent products. We will try our best to become a world leading level of solar photovoltaic systems integration solutions supplier.

WOCHN is committed to locally delivering a wide range of products and services: local distributor investigating at site, delivering goods soonest, offering the best after-sales service. Our customers count on us before, during and after the installation. You can rest assured that when you partner with WOCHN you've made the right decision.



# 5# Rail Mount System



**Code: WQ-5R**

Premium rail ,silver or black finish,  
3200mm,4200mm,4500mm  
or customized length



**Code: WQ-5RL**

Premium rail ,silver or black finish,  
3200mm,4200mm,4500mm  
or customized length



**Code: WQ-EIC**

Standard Mid clamp,universal for 30mm-40mm  
framed module , fully pre-assembled with  
grounding clip, self standing by recessed spring.



**Code: WQ-AEC**

Standard rail end clamp,universal for 30mm-  
40mm framed module , fully pre-assembled.



**Code: WQ-SFR-5**

Rail splice kit for 5# Rail System



**Code: WQ-RFK-5**

Rail fixing kits for 5# rail mount system

# 6# Rail Mount System



**Code: WQ-6R**

Sliding rail, silver or black finish,  
3200mm, 4200mm, 4500mm  
or customized length



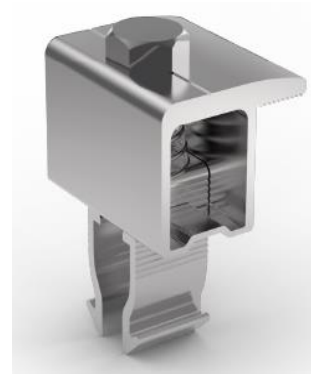
**Code: WQ-SFR-6**

Standard rail splice kit to connect rail 6R



**Code: WQ-ULM**

ULT End Clamp for 30mm-40mm framed  
module, with bonding fully pre-assembled

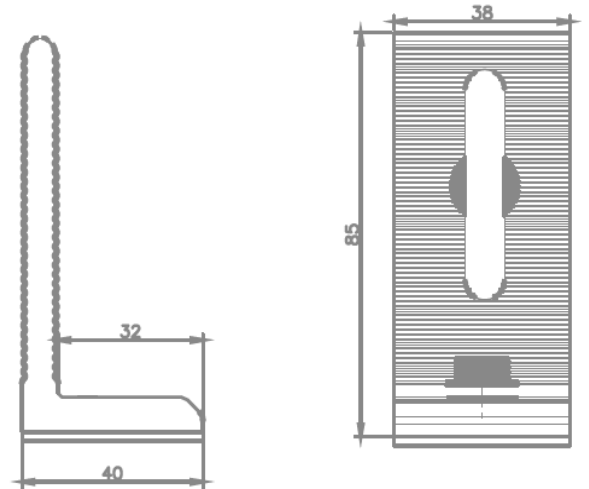


**Code: ULE**

ULT End Clamp for 30mm-40mm framed  
module, with bonding fully pre-assembled



## Specification



### Code: WQ-AH-01

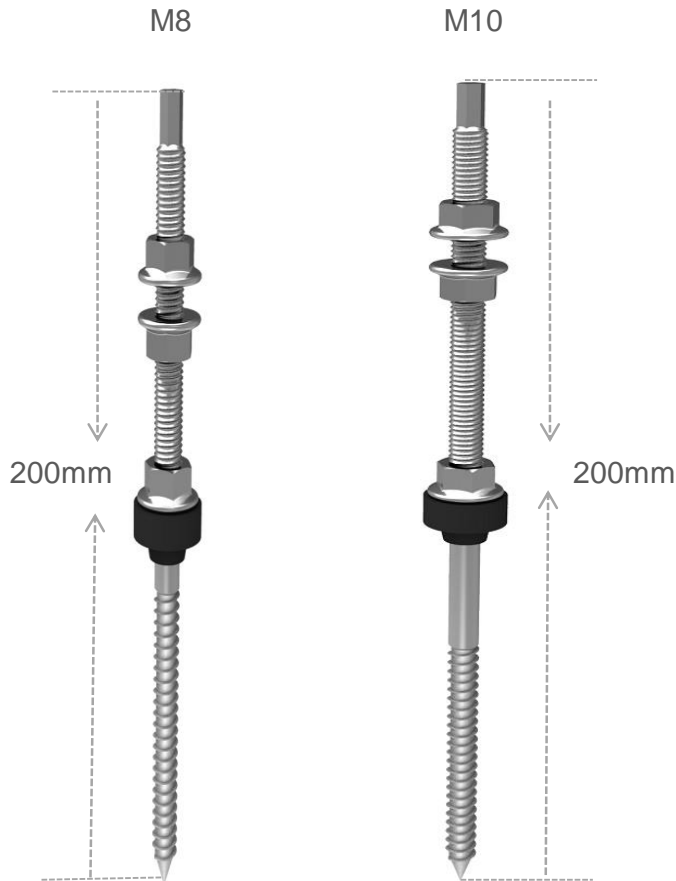
#### L foot comes with 2 applications

- 1: for trapezoidal sheet metal, corrugated sheet metal with a wooden screw or self-drilling screw.
- 2: Conjunction with standing seam clamps for standing seam roof with a flange screw M8 x 20mm



### Component list

	Quantity	Specification	Material
L feet	1	40*85	Aluminium 6005-T5
Wooden or self-drilling screw	1	M6.3*80	SUS401
EPDM Pad	1	40*40	EPDM
Rail nut kits	1	WOCHN rail nut kits	Aluminium 6005-T5



**Code: WQ-SH03-M8**

**WQ-SH03-M10**



## Hanger bolt

For solar PV mounting on roofs with corrugated fibre cement, or sheet metal on timber substructures.

The hanger bolts are M10 or M8 with 200mm length upon request.

## Component list

	Quantity	Specification	Material
L feet	1	40*85	Aluminium 6005-T5
Hanger bolt	1	M10*200, M8*200	SUS304
EPDM Pad	1	Circle M10 or M8	EPDM
Flange Nut	3	M10 or M8	SUS 304
Rail nut kits	1	WOCHN rail nut kits	Aluminium 6005-T5

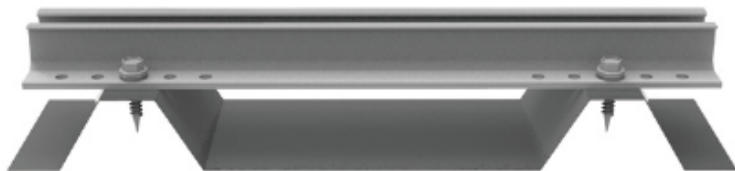
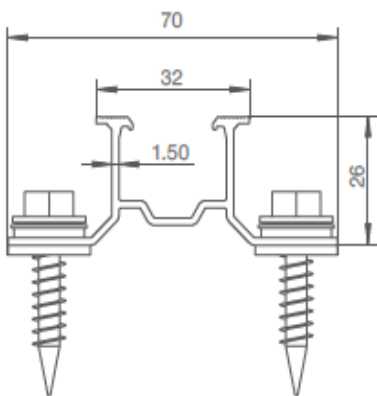


**Code: WQ-AC-19**

To suit:  
New Zealand Metalcraft Roofing  
Metdek 400/500 Roofing profiles  
with similar trapezoid sheet metal

**PS:** Customized length and hole  
position available

**Specification**



**Component list**

	Quantity	Specification	Material
Mini Rail	1	L=385mm	Aluminium 6005-T5
Self drilling screw	4	M6.3*25mm	SUS410
EPDM Pad	4	20*80 mm	EPDM



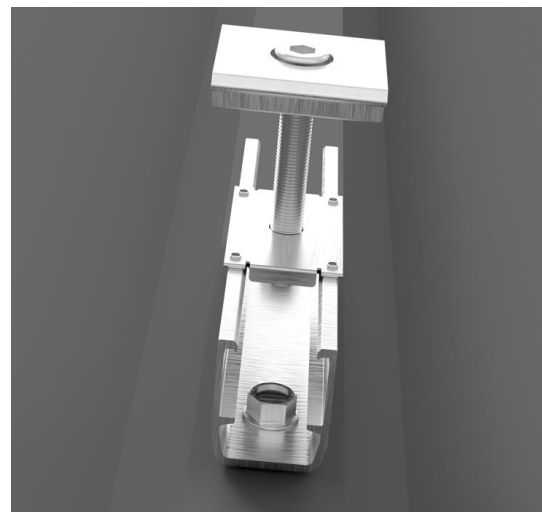
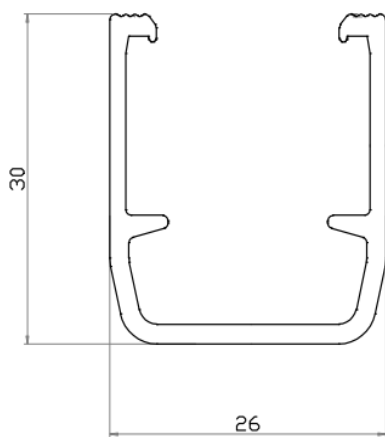


**Code: WQ-AC-04A**

To suit:

Any types trapezoid sheet metal or corrugated sheet metal

**PS:** Customized length and hole position available

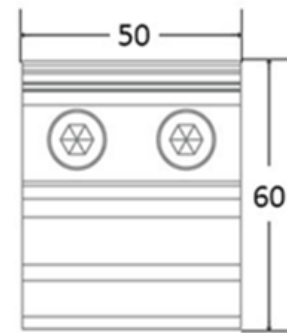
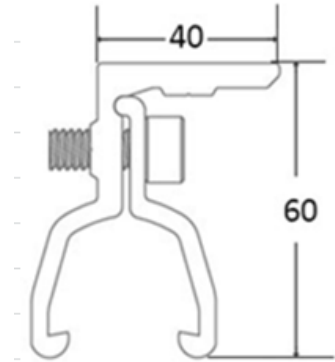
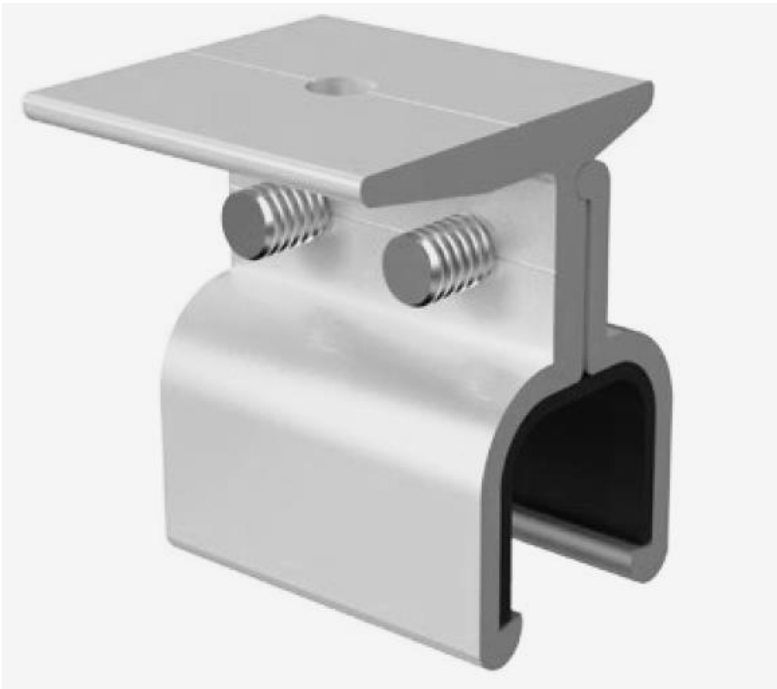


## Component list

	Quantity	Specification	Material
Mini Rail	1	L=150mm	Aluminium 6005-T5
Self drilling screw	4	M6.3*25mm	SUS410
EPDM Pad	2	26*40 mm	EPDM

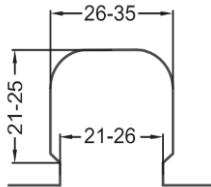
# Standing Seam Clamp

## -Lysaght Klip-lok 700 Clamp



**Code: WQ-AC-02**

To suit:  
Lysaght Klip-lok 700, speed deck ultra and roofing profiles with similar dimension.

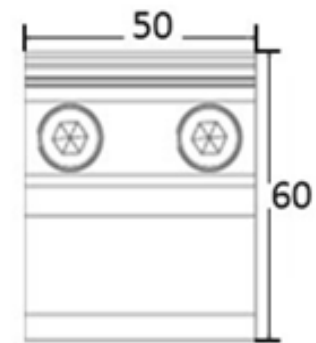
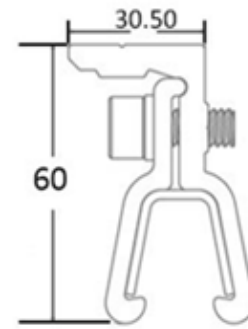


### Component list

	Quantity	Specification	Material
Clamp	1	60*50	Aluminium 6005-T5
Side screw	2	M8*30	SUS304
EPDM pad	1	40*60	EPDM

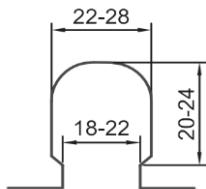
# Standing Seam Clamp

## -Lysaght Klip-lok 406 Clamp



**Code: WQ-AC-03**

To suit:  
Lysaght Klip-lok406, Kingclip 406  
Roofing profiles with similar dimension.

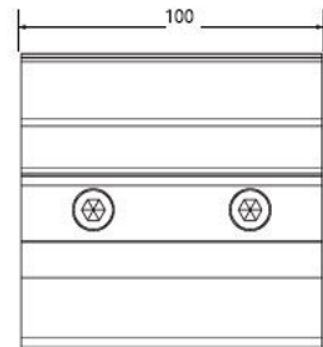
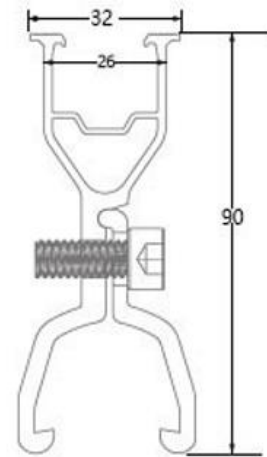


### Component list

	Quantity	Specification	Material
Clamp	1		Aluminium 6005-T5
Side screw	2	M8*30	SUS304
EPDM pad	1	40*55	EPDM

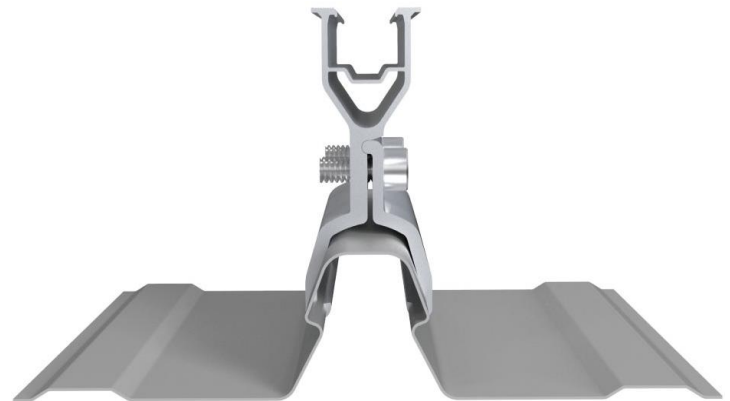
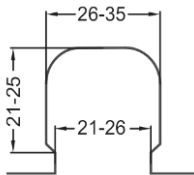
# Standing Seam Clamp

-Rail-less Lysaght Klip-lok 700 Clamp



**Code: WQ-AC-02A**

To suit:  
Lysaght Klip-lok 700, speed deck ultra and roofing profiles with similar dimension.

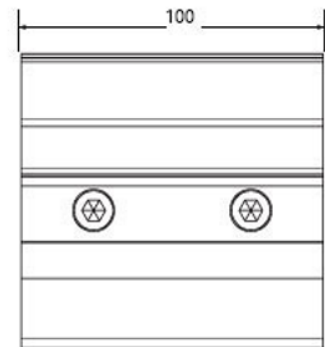
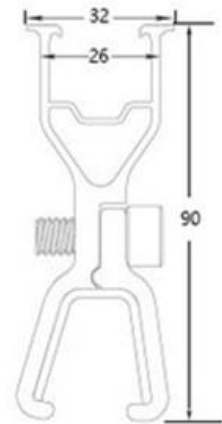


## Component list

	Quantity	Specification	Material
Clamp	1		Aluminium 6005-T5
Side screw	2	M8*20	SUS304
EPDM pad	1	60*100	EPDM

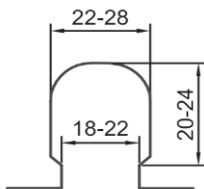
# Standing Seam Clamp

## -Rail-less Lysaght Klip-lok 406 Clamp



**Code: WQ-AC-03A**

To suit:  
Lysaght Klip-lok406, Klip-lok 406  
Roofing profiles with similar dimension.



### Component list

	Quantity	Specification	Material
Clamp	1		Aluminium 6005-T5
Top screw	2	M8*20	SUS304
EPDM pad	1	60*100	EPDM

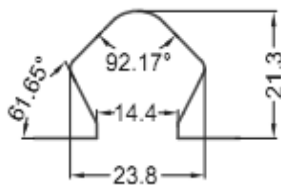
# Standing Seam Clamp

-For East-South Asia



**Code: WQ-AC-05**

To suit:  
V-650 roofing profile or  
with similar dimension



## Component list

	Quantity	Specification	Material
Clamp	1		Aluminium 6005-T5
Top screw	1	M8*20	SUS304
Side screw	2	M8*25	SUS304

# Standing Seam Clamp

-10#



Code: WQ-AC-10

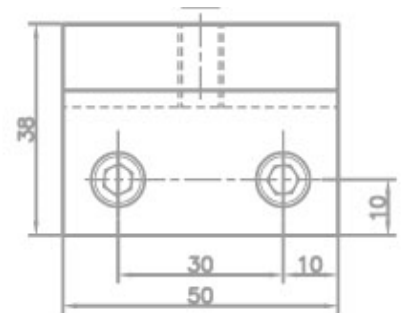
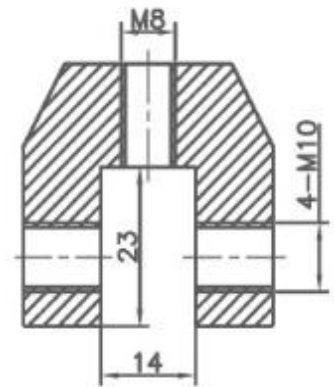


## Component list

	Quantity	Specification	Material
Clamp	1		Aluminium 6005-T5
Side screw	2	M8*25	SUS304

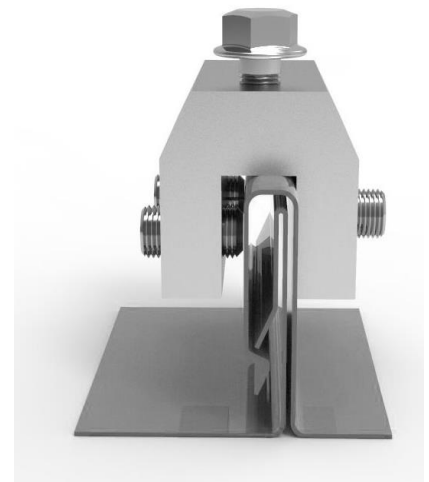
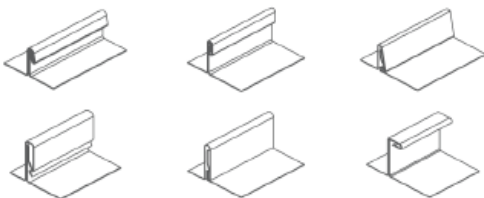
# Standing Seam Clamp

## -Universal Clamp 17#



**Code: WQ-AC-17**

To suit:  
Most of the industrial single or double locked and  
Snap-together, the seam less than 14mm



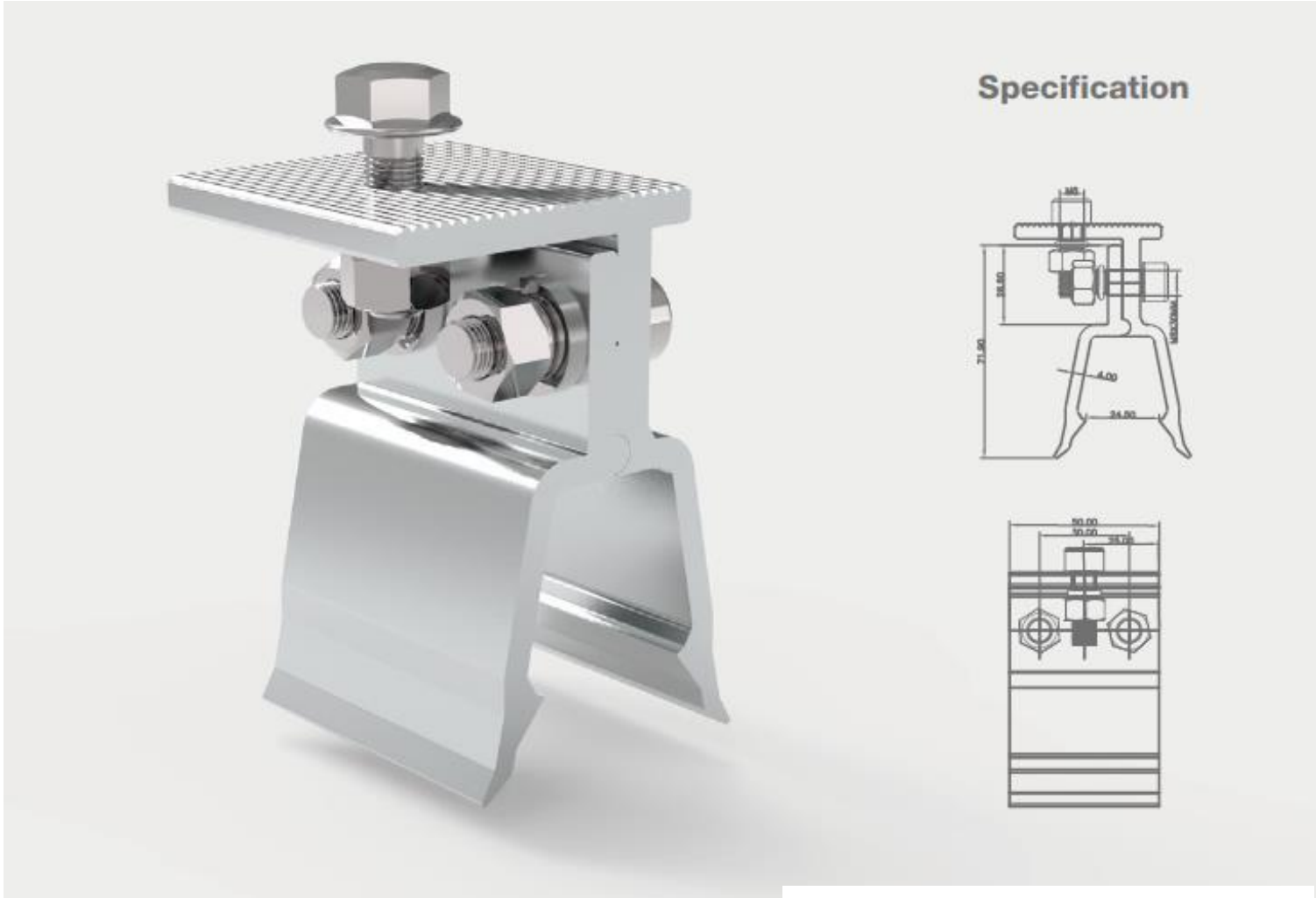
### Component list

	Quantity	Specification	Material
Clamp	1		Aluminium 6005-T5
Top screw	1	M8*20	SUS304
Side screw	2	M8*25	SUS304



# Standing Seam Clamp

## -River Clack Clamp



**Code: WQ-AC-18**

To suit:  
River Clack 500/550/600 sheet metal

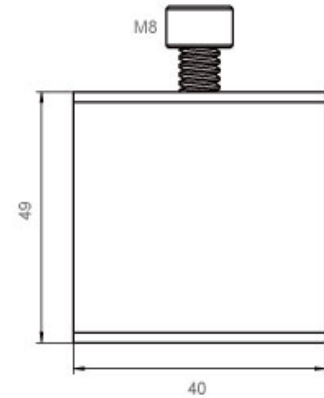
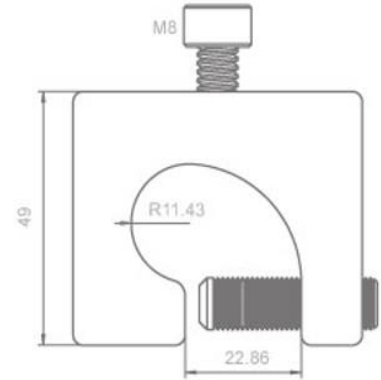


### Component list

	Quantity	Specification	Material
Clamp	1		Aluminium 6005-T5
Side screw	2	M8*25	SUS304

# Standing Seam Clamp

## -Universal Rould Bulb Clamp



**Code: WQ-AC-21**

To suit:  
The rould bulb seam sheet metal that the rould seam width less than 22mm.

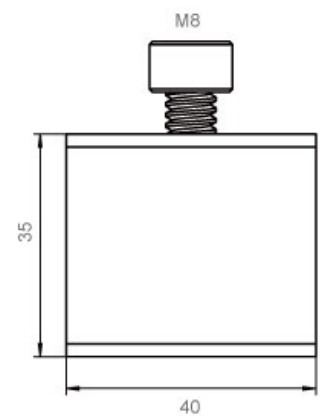
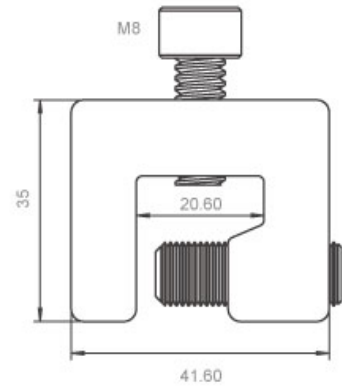


### Component list

	Quantity	Specification	Material
Clamp	1	49*40 mm	Aluminium 6005-T5
Top screw	1	M8*20 mm	SUS304
Side screw	2	M8*25 mm	SUS304

# Standing Seam Clamp

## -Single Folded in 90 deg Clamp



**Code: WQ-AC-23**

To suit:  
The single folded seam sheet metal in 90 deg

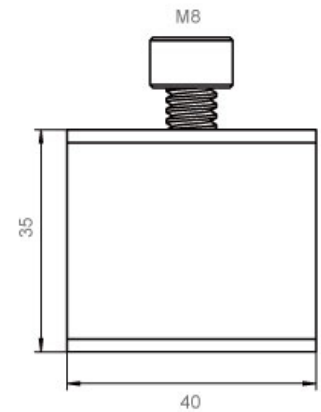
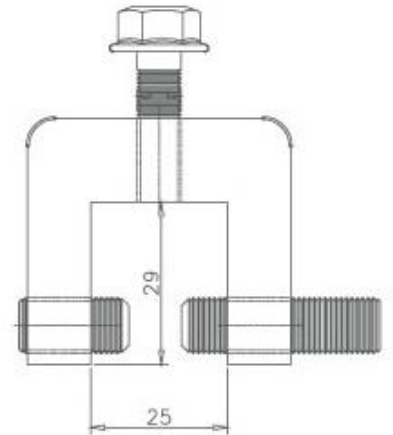


### Component list

	Quantity	Specification	Material
Clamp	1	40*35 mm	Aluminium 6005-T5
Side screw	2	M8*25 mm	SUS304
Top screw	1	M8*20 mm	SUS304

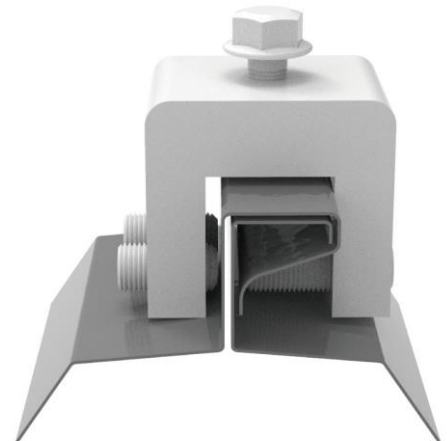
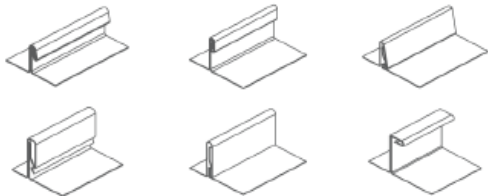
# Standing Seam Clamp

## -Universal Clamp 28#



**Code: WQ-AC-28**

To suit:  
Most of the industrial single or double locked and Snap-together, the seam width between 14-25mm.

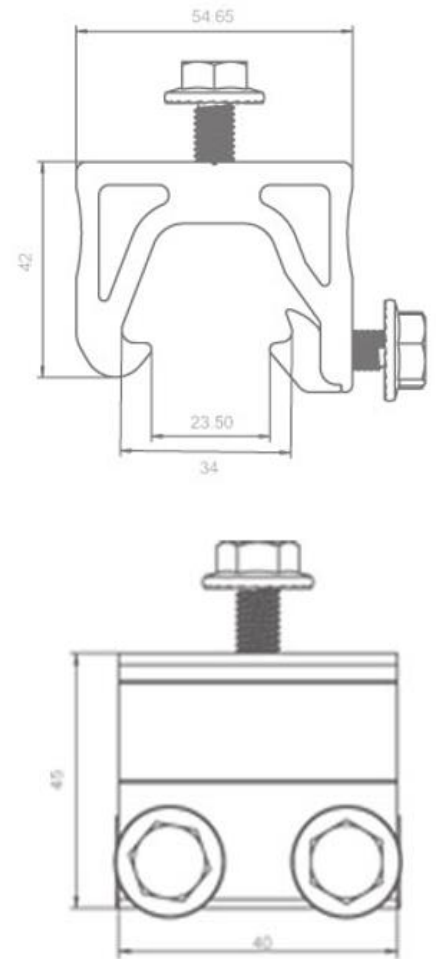
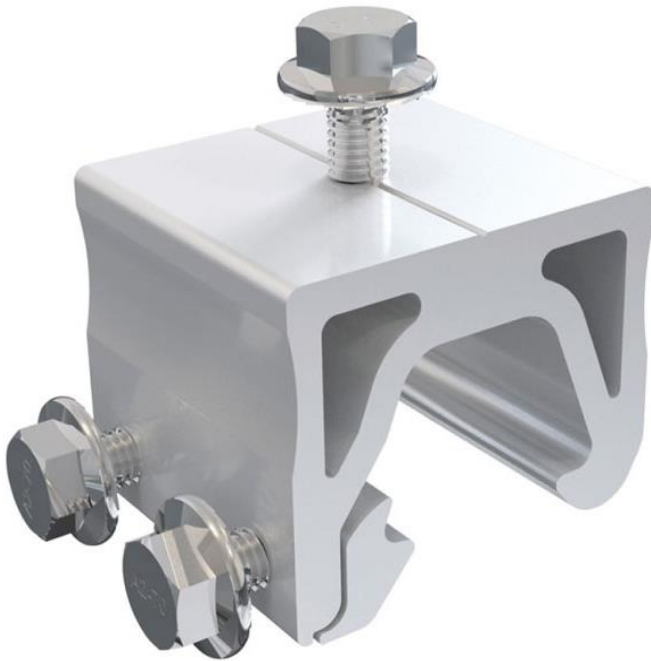


### Component list

	Quantity	Specification	Material
Clamp	1	40*35 mm	Aluminium 6005-T5
Top screw	1	M8*20 mm	SUS304
Side screw	2	M8*25 mm	SUS304

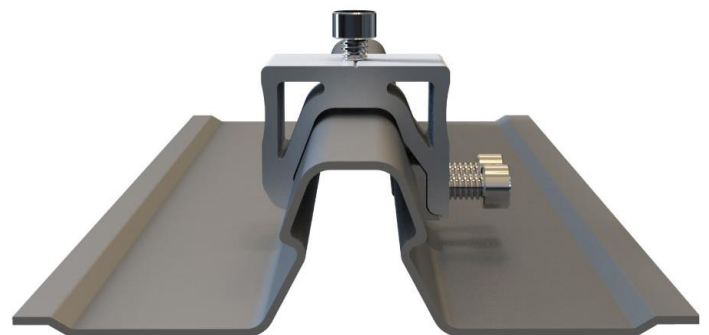
# Standing Seam Clamp

-Universal Clamp for Lysaght Sheet Metal



**Code: WQ-AC-27**

To suit:  
Lysaght Klip-lok 700, Lysaght Klip-lok 406 and  
other Lysaght sheet metal.



## Component list

	Quantity	Specification	Material
Clamp	1	40*35 mm	Aluminium 6005-T5
Side screw	2	M8*25 mm	SUS304
Top screw	1	M8*20 mm	SUS304



**Code: WQ-SH-01**

Spanish tile roof hook , for side mount  
Material: SUS304 steel

Accessories: 6.3 x 80mm wooden screw. 3 pcs



**Code: WQ-SH-04**

Spanish tile roof hook , for side mount , height adjustable

Material: SUS304 steel

Accessories: 6.3 x 80mm wooden screw. 3 pcs



**Code: WQ-SH-17**

All tile roof hook , for up mount  
Compatible with side mount rail unless an adaptor fastening kit is used

Material: SUS304 steel

Accessories: 6.3 x 80mm wooden screw. 3 pcs



**Code: WQ-SH-18**

All tile roof hook , for up mount  
Height adjustable , compatible with side mount rail unless an adaptor fastening kit is used

Material: SUS304 steel

Accessories: 6.3 x 80mm wooden screw. 3 pcs



**Code: WQ-SH-05**

Flat tile roof hook, for side mount rail  
Type 304 Stainless Steel

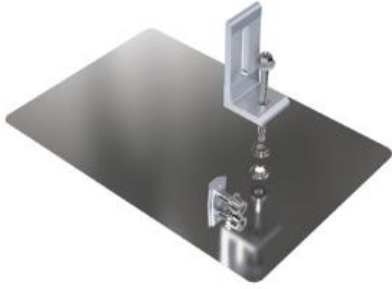
Accessories: 6.3 x 80mm wooden screw. 2 pcs



**Code: WQ-SH-06**

Flat tile roof hook, for up mount rail  
Type 304 Stainless Steel

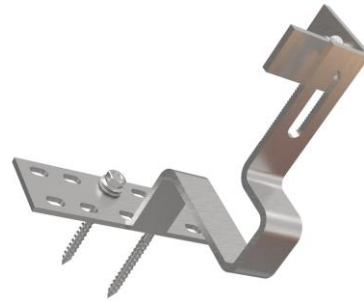
Accessories: 6.3 x 80mm wooden screw. 2 pcs



**Code: WQ-AC-22**

Suit for Asphalt Shingles

Material: Anodized aluminium 6005-T5



**Code: WQ-AC-66**

Roman tile roof hook , for bottom mount

Material: Anodized aluminium 6005-T5



**Code: WQ-SH-14**

Spanish tile roof hook , for side mount

Compatible with side mount rail

Material:SUS304 steel

Accessories: 6.3 x 80mm wooden screw. 3 pcs



**Code: WQ-SH-09**

Spanish tile roof hook , for side mount

Compatible with side mount rail

Material:SUS304 steel

Accessories: 6.3 x 80mm wooden screw. 3 pcs



**Code: WQ-SH-07**

Flat tile roof hook, for side mount rail

Type 304 Stainless Steel

Accessories: 6.3 x 80mm wooden screw. 2 pcs



**Code: WQ-SH-02**

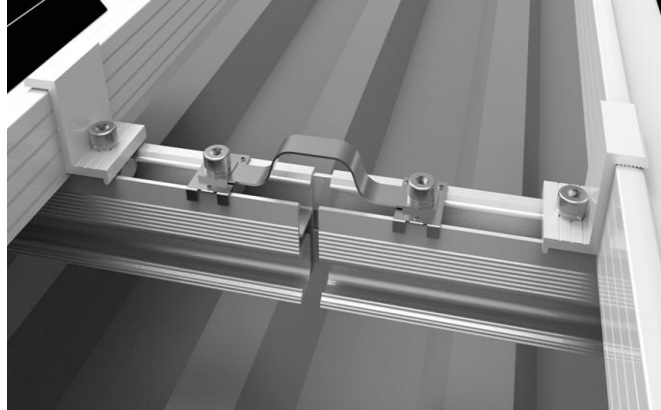
Flat tile roof hook, for side mount rail

Type 304 Stainless Steel

Accessories: 6.3 x 80mm wooden screw. 2 pcs

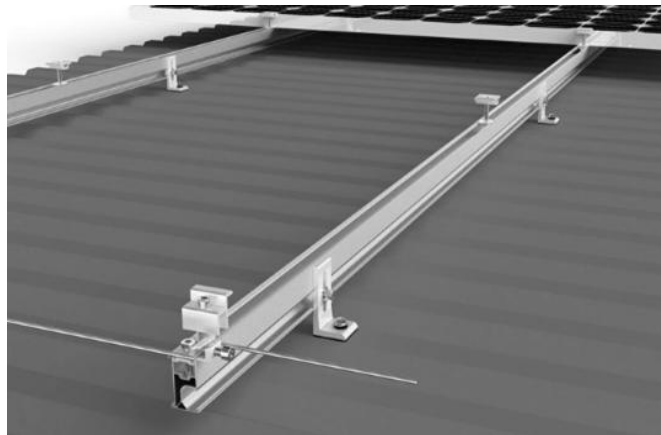
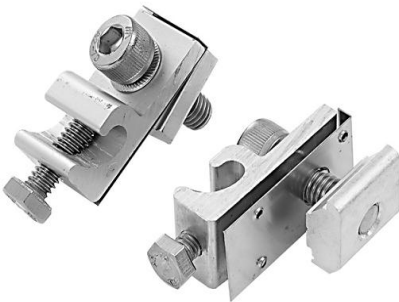
## Code: WQ-GL-R1

Bonding jumper for connecting two rail to make electrical through all rail.



## Code: WQ-GL-R2

Grounding lug for connecting approach rail and make electrical through complete solar system



## Code: WQ-GC-R3A

WOCHN open earthing clip  
Connecting approach rail and make electrical through complete solar system



## Code: WQ-GC-R3B

WOCHN closed earthing clip  
Connecting approach rail and make electrical through complete solar system





**Code: WQ-CL-1**

SUS 304 steel Solar cable clip for handle 2 solar cable on solar system.



**Code: WQ-CL-2**

SUS 304 steel Solar cable clip for handle 2 solar cable on solar system.



**Code: WQ-CL-3**

SUS 304 steel Solar cable clip for handle 3 solar cable on solar system.



**Code: WQ-CL-4**

SUS 304 steel Solar cable clip for handle 3 solar cable on solar system.



**Code: WQ-CL-5**

SUS 304 steel Solar cable clip for handle 4 solar cable on solar system.



**Code: WQ-CL-6**

SUS 304 steel Solar cable clip for handle 4 solar cable on solar system.



**Code: WQ-MC4-AB**

MC4 Connector (A/B)



**Features**

Rate voltage:	1000v
Rated current:	22A(2.5mm <sup>2</sup> ) , 30A(4mm <sup>2</sup> ,6mm <sup>2</sup> )
Test voltage:	6KV(50Hz)
Protect degree:	IP67/IP2X
Insulation material:	PC/PA/PPO/TPE
Contact material:	Silver plated copper
Operating temperature:	-40°C~+90°C
Safe class:	2
Flame class:	UL94-V0
Contact resistance:	≤5mΩ
Suitable cable:	2.5mm <sup>2</sup> /4mm <sup>2</sup> /6mm <sup>2</sup> (AWG14/12/1
Locking system:	Snap in

**Code: WQ-MC4-O2A/2B**

Old 2 Branch MC4 connector



**Code: WQ-MC4-N2A/2B**

New 2 Branch MC4 connector



**Code: WQ-MC4-O3A/3B**

Old 3 Branch MC4 connector



**Code: WQ-MC4-N3A/3B**

New 3 Branch MC4 connector



## Construction

Type	Conductor		Installation Standard Thickness	Installation Standard Dia	Jacket Standard Thickness	Outer Dia	Conductor resistance (20 °C)	Max current Carrying Capacity
	Construction	Conductor Dia						
mm <sup>2</sup>	N/mm	mm	mm	mm	mm	mm	Ω/KM	Apm
1.5	30/0.25±0.006	1.58	0.9	3.38±0.1	1.1	5.5±0.2	13.7	30
2.5	50/0.25±0.006	2.04	0.85	3.74±0.1	0.9	5.5±0.2	8.21	41
4.0	56/0.3±0.006	2.59	0.85	4.29±0.1	0.9	6.1±0.2	5.09	55
6.0	84/0.3±0.006	3.17	0.85	4.87±0.1	1.05	7.0±0.2	3.39	70

## Specification

- > Conductor : Tinned annealed
- > Insulation : 120 °C XLPE black
- > Jacket : 120 °C XLPE black
- > voltage 600/1000 V temperature 120 °C
- > Specifically designed for connecting photovoltaic system components inside and out side of building and equipment with high mechanical requirements and extreme weather conditions. For permanent installations

> Cable made of electron-beam cross-linked insulation and coating: high resistance against heat, cold, oil, abrasion, ozone, UV and weather; with improved reaction in case of fire, low smoke, halogen free, flame free, flame retardant; flexible, easy to strip, very low space requirement, extremely mechanically robust, very long lifetime.

## Code

WQ-SC-1.5-B/R	1.5 MM <sup>2</sup> solar cable
WQ-SC-2.5-B/R	2.5 MM <sup>2</sup> solar cable
WQ-SC-4.0-B/R	4.0 MM <sup>2</sup> solar cable
WQ-SC-6.0-B/R	6.0 MM <sup>2</sup> solar cable



## Electrical Features

Item	Unites	Specification
Conductor resistance ( 20 °C )	Ω/KM	—
Insulation resistance ( 90 °C )	Ω/CM	≤ 10"
Withstand voltage	V/ 5 Min	AC6500
Lifetime	Year	≤ 25 years
Min. Bending Radius	—	5D



**Creating the greatest value for you  
In worldwide**



**Wochn Green Energy Co.,Ltd**

Add: Xicen Building 349, Qingpu District, Shanghai,China

Tel: 0086-21-39519802

Mob: 0086-15721481648

Email: [sales@wochnmount.com](mailto:sales@wochnmount.com)

Web: [www.wochnmount.com](http://www.wochnmount.com)