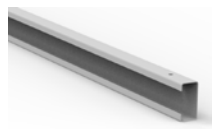


DP Pile System



C Section Rail System Components



C Section Rail



C Rail Splice



Mid Clamp

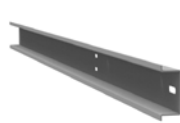
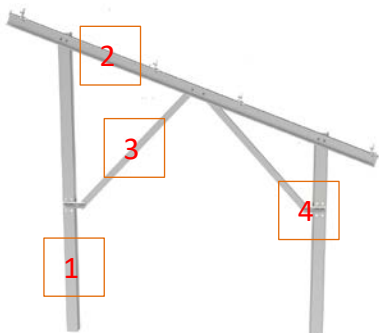


End Clamp

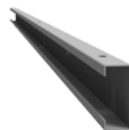


Rail Fix Kit

SP Leg Components



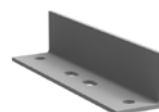
1. Pillar



2. Beam



3. Side Support

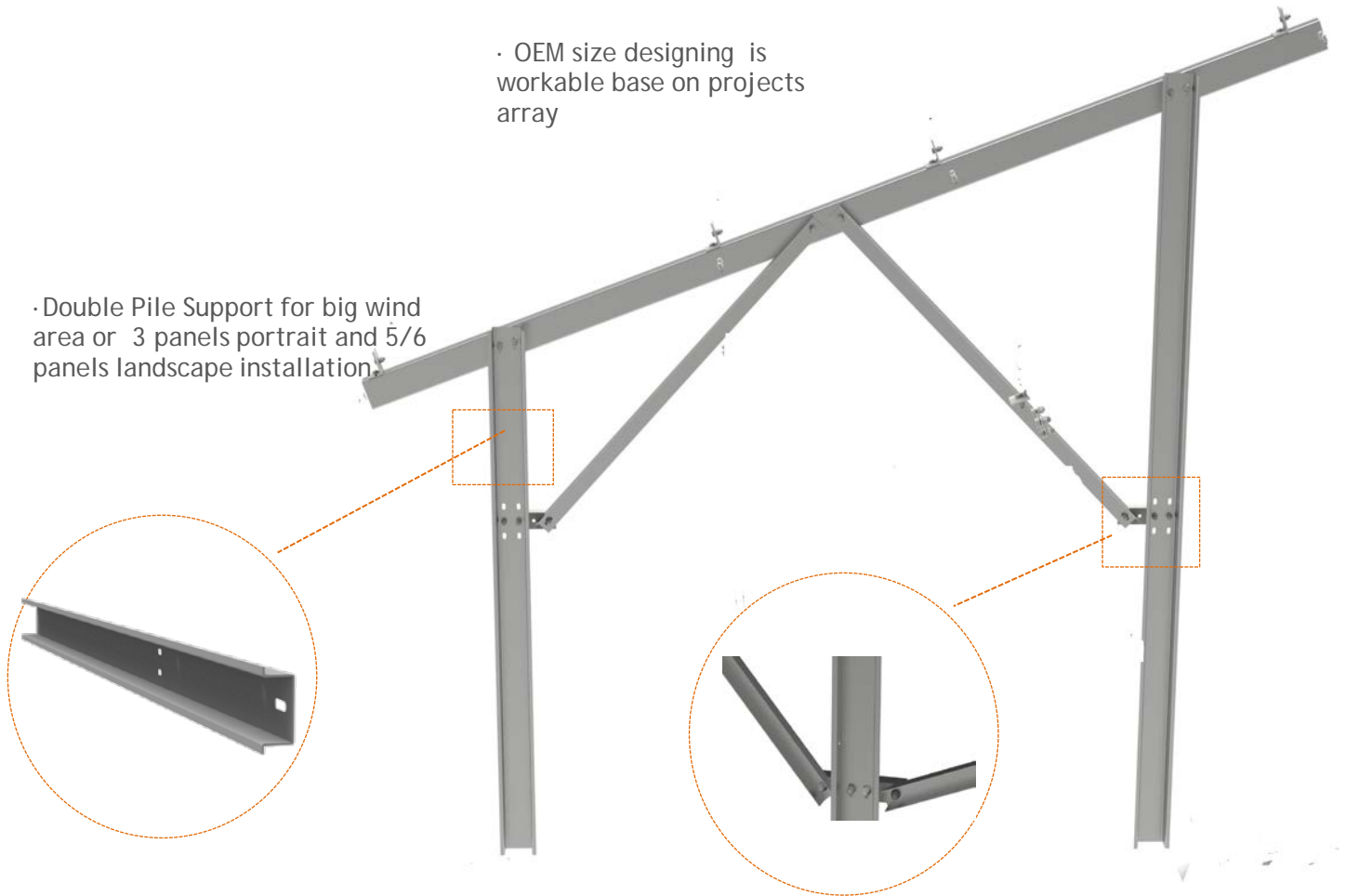


4. Transfer Kit

Unique Feature

· OEM size designing is workable base on projects array

· Double Pile Support for big wind area or 3 panels portrait and 5/6 panels landscape installation.



Technical Data

Product name	AW-2P Mount System
Application	Ground and flat concrete concrete roof
Inclination	Fixed 10/15/20/25/30 deg or customized
Material	Q235B
Finish	Hot dip Galvanaized Steel, average 75um
PV module	Framed or Unframed
Module size	Small and Big modules
Module orientation	Portrait and landscape
Module direction	South , North
Foundation	Pile

**Creating the greatest value for you
In worldwide**



Wochn Green Energy Co.,Ltd

Add: Xicen Building 349, Qingpu District, Shanghai,China

Tel: 0086-21-39519802

Mob: 0086-15721481648

Email: sales@wochnmount.com

Web: www.wochnmount.com