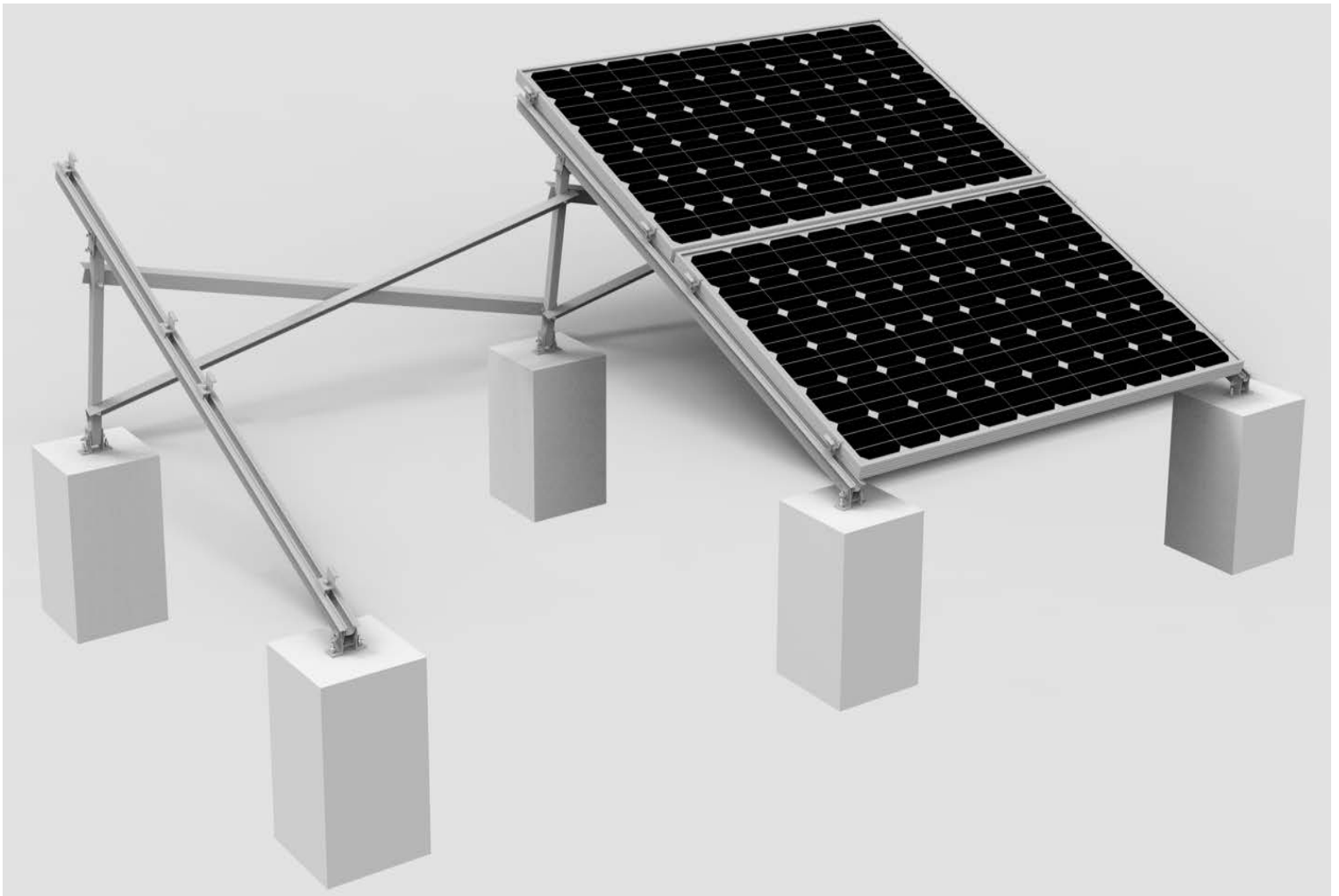


ATV System



Components



ATV Leg



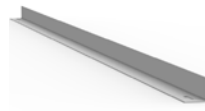
Expand Bolt



Mid Clamp



End Clamp

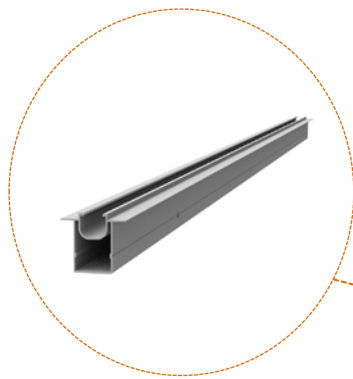


Strengeh Kit J35

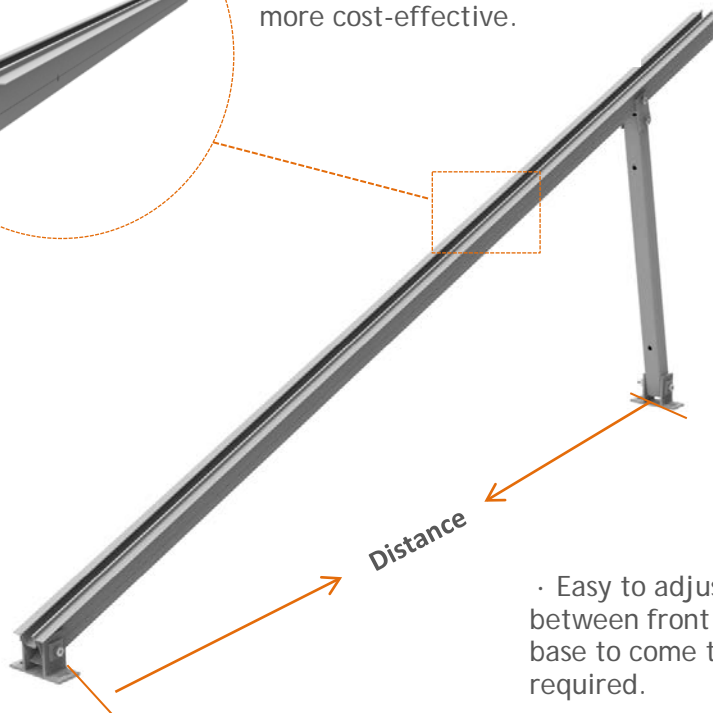
Advantage

- Unique beam designed, one beam for place modules on two side
- Pre-assembled ATV legs for easy and quick to install
- Adjustable tilt angle from 10 to 30 degree, flexibility for different inclination
- Flexibility for long or short rows arrays
- Flexibility for 1/2/3/4 panles landscape arrays

Unique Feature



· Easy to place solar modules on the ATV leg beams' two side. Longer module arrays placed, price more cost-effective.



Distance

· Easy to adjust the distance between front base and back base to come to the inclination required.

- Item No.:WQ-ATV-1030
- Angle Adjustable Range : 10 to 30 deg
- Workable for modules:
 - Length : 1960 to 2400 mm
 - Width: 900 to 1200 mm
 - Thickness: 30 to 40 mm

Technical Data

Product name	ATV Mount System
Application	Flat concrete roof
Inclination	Standard or customized
Material	Aluminum 6005 T5
Finish	Anodized clear, average 12um
PV module	Framed
Module size	Small and Big modules
Module orientation	2/3/4 modules landscape
Module direction	South , North