

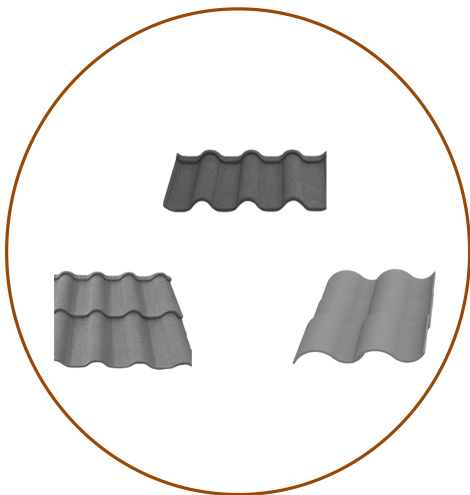
Date Sheet & Brochure

WOCHN 66# hook is tile roof hook for solar installation on tiled roofs. The hook has wider base than the other hooks. The wider base means higher-quality for load capacity. And easy compatible with WOCHN 5L rail system or any rail system to make the system more strong and robust. Simple design for quick mounting. This hook is universal for all orientation, landscape and portrait all available.



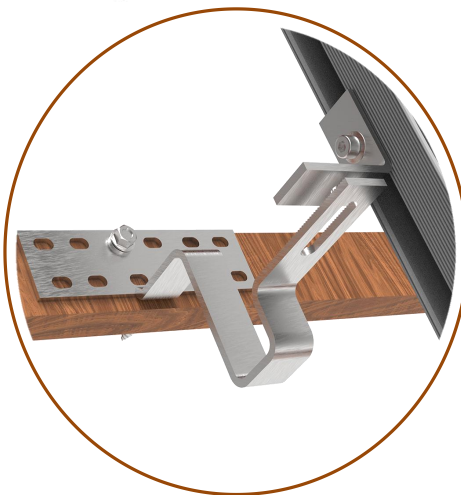
Tile Hook

Item:WQ-SH-66



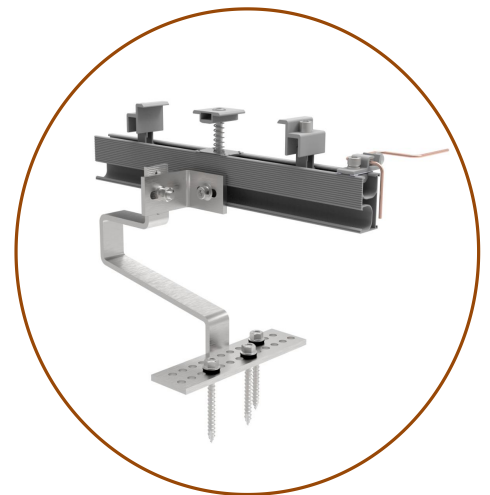
Universal

Suitable for all tile roof



Strong & Quick mounting

185mm length plate, big than most tile roof hook, stronger loading ability.

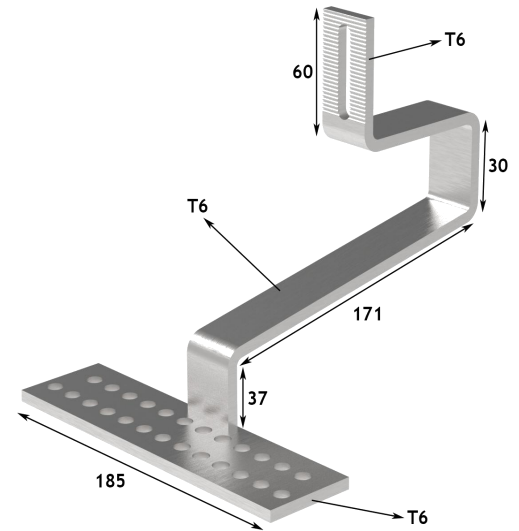


Versatility

Landscape or portrait installation, and height adjustable

Technical Data

Max pull out load vertical to roof:	7.8KN
Screw tension:	up to 4NM
Ultimate Tensile Strength:	62
Tensile Yield Strength:	42
Fatigue Strength:	100 Mpa
Shear Modulus:	26.0 Gpa
Shear Strength:	205 Mpa
Hardness, Knoop:	21
Hardness, Vickers:	701
Elongation at Break:	0.80%
Modulus of Elasticity:	69.0 Ga

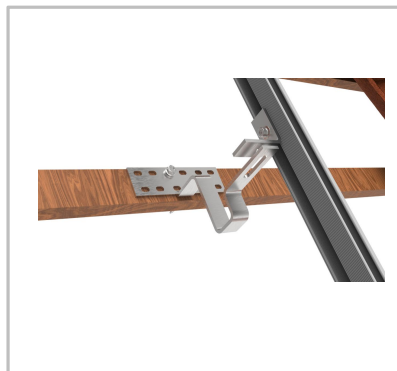


Unit: mm

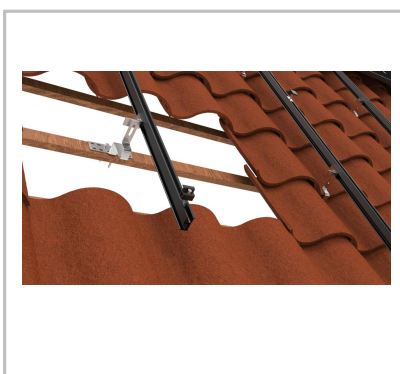
Quick Installation Guide



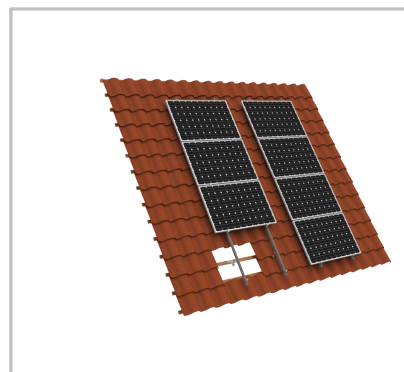
Step 1:
Move the tile to
aside and confirm
the tile hook
position



Step 2:
Fix the tile roof
hook on roof
substructure with 3
self-drilling screw.



Step 3:
Recover the tiles
to hook surface



Step 4:
Connect rail to
hook and then fix
solar modules with
mid clamp and end
clamp