

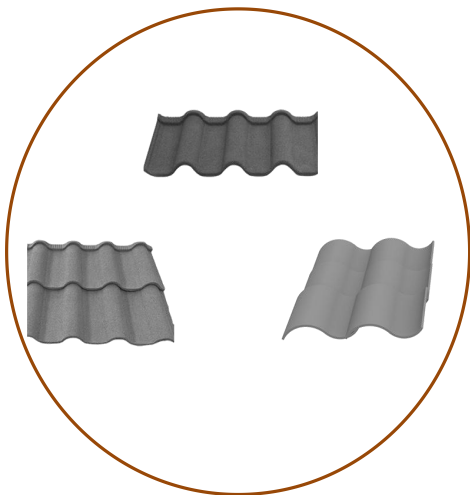
Date Sheet & Brochure

WOCHN 1# hook is tile roof hook for solar installation on residential or commercial tiled roofs. It's suitable for all tile roof. The hook is easy compatible with WochN 5L rail system or any rail system to make the system more strong and robust. Simple design to achieve quickest installation.



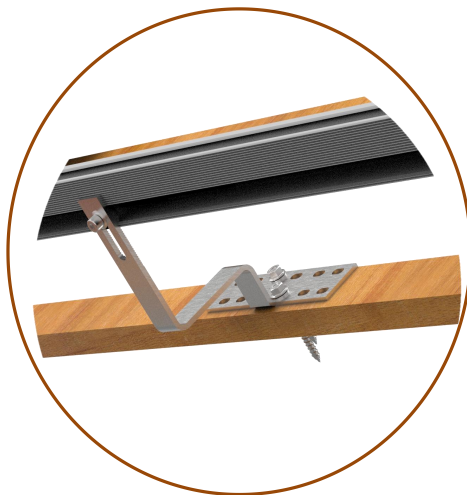
Tile Hook

Item:WQ-SH-01



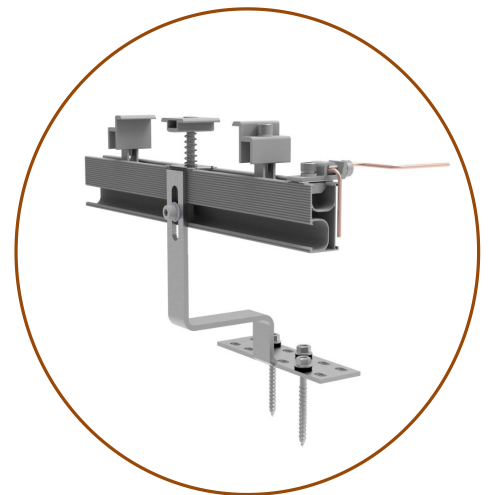
Universal

Suitable for all tile roof, like flat tiles and roof tiles.



Strong & Quick mounting

Made of high-quality stainless steel. Easy to install with self drilling screws

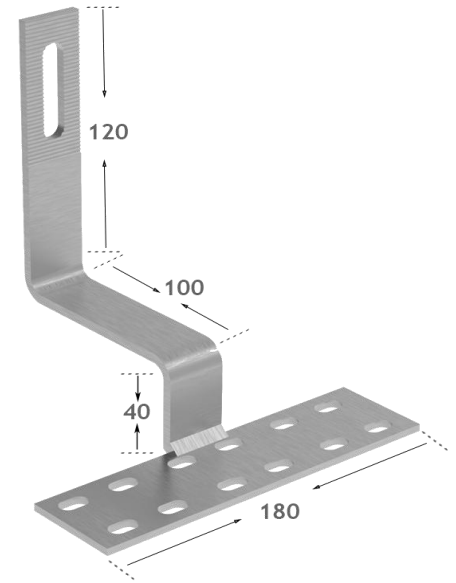


Flexibility

Easy to adjust solar rail system height with range 0 to 50mm

Technical Data

Max pull out load vertical to roof:	7.8KN
Screw tension:	up to 4NM
Ultimate Tensile Strength:	62
Tensile Yield Strength:	42
Fatigue Strength:	100 Mpa
Shear Modulus:	26.0 Gpa
Shear Strength:	205 Mpa
Hardness, Knoop:	21
Hardness, Vickers:	701
Elongation at Break:	0.80%
Modulus of Elasticity:	69.0 Ga

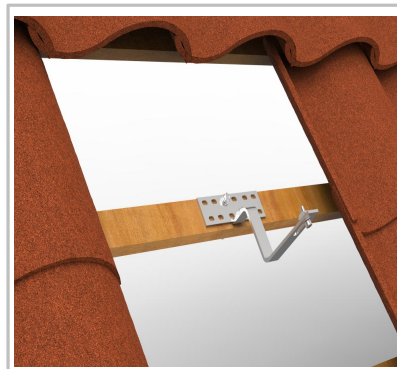


Unit: mm

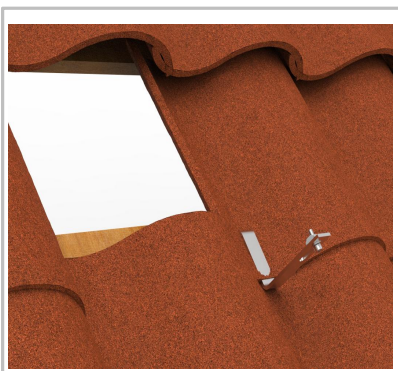
Quick Installation Guide



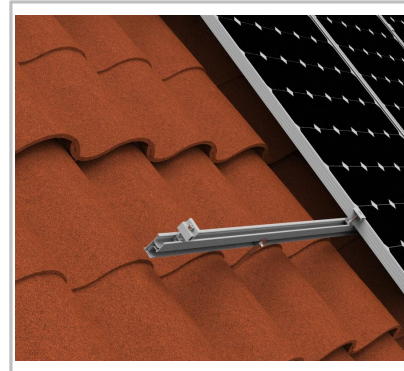
Step 1:
Move the tile to aside and confirm the tile hook position



Step 2:
Fix the tile roof hook on roof substructure with 3 self-drilling screw.



Step 3:
Recover the tiles to hook surface



Step 4:
Connect rail to hook and then fix solar modules with mid clamp and end clamp