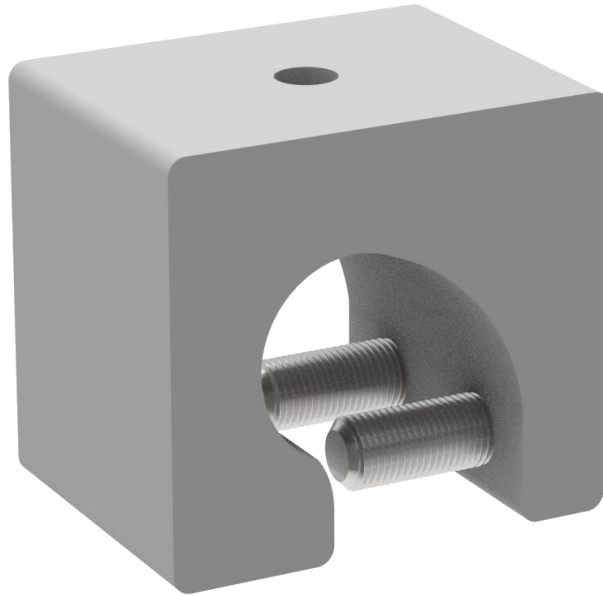
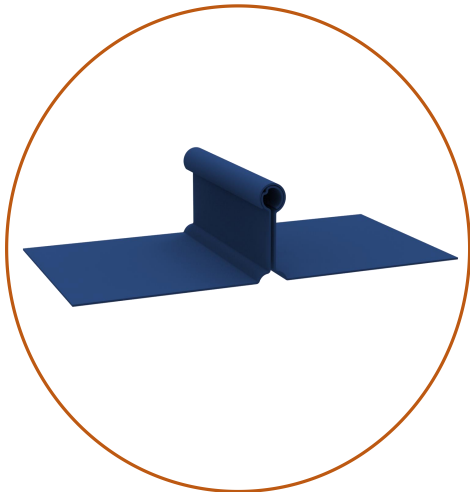


Date Sheet & Brochure

WOCHN standing seam clamp WQ-AC-21 is for solar installation on most of round bulb standing seam metal roof. This clamp maintains the elegance of your standing seam roof with no penetrate to the roof material. The simplest and easiest installation way for standing seam roof make it used widely worldwide.

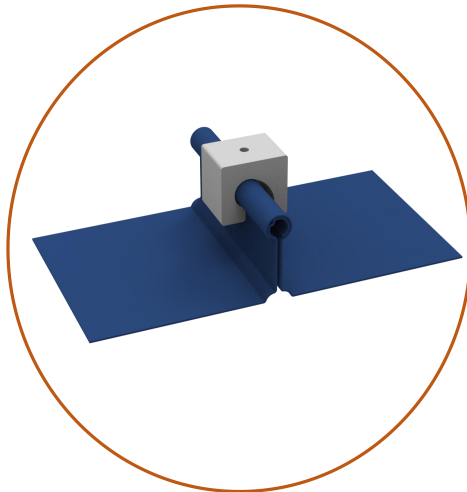


Standing Seam Clamp
Item:WQ-AC-21



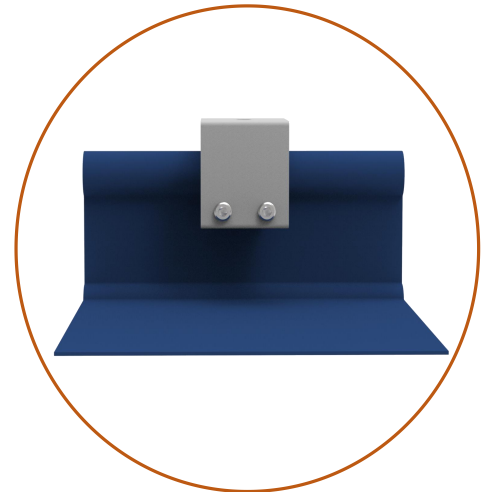
Roof Type

Suitable for round-bulb seams \leq 23mm



Roof Friendly

Install on the roof-seam directly , non penetrative

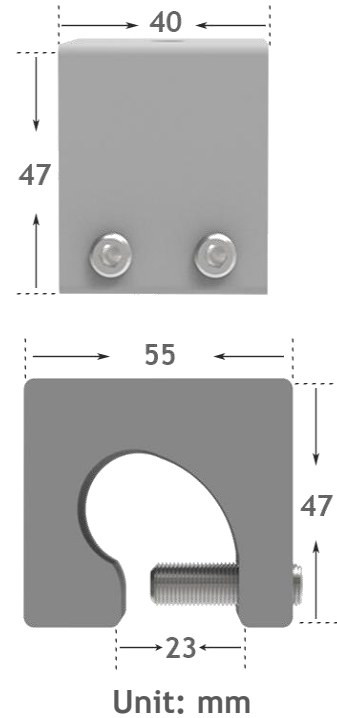


Easy Installation

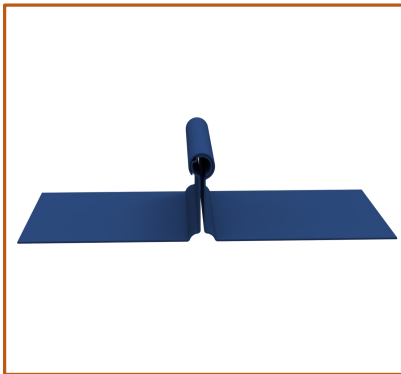
Fasten clamp on roof seam with blind rivets in one side

Technical Data

Max pull out load vertical to roof:	7.8KN
Screw tension:	up to 4NM
Ultimate Tensile Strength:	62
Tensile Yield Strength:	42
Fatigue Strength:	100 Mpa
Shear Modulus:	26.0 Gpa
Shear Strength:	205 Mpa
Hardness, Knoop:	21
Hardness, Vickers:	701
Elongation at Break:	0.80%
Modulus of Elasticity:	69.0 Ga

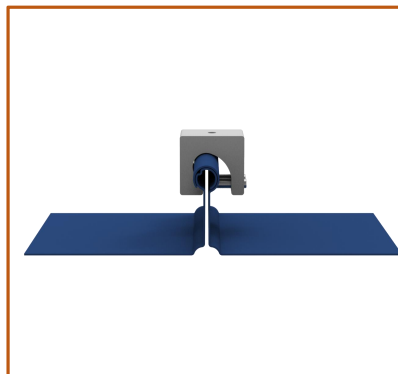


Quick Installation Guide

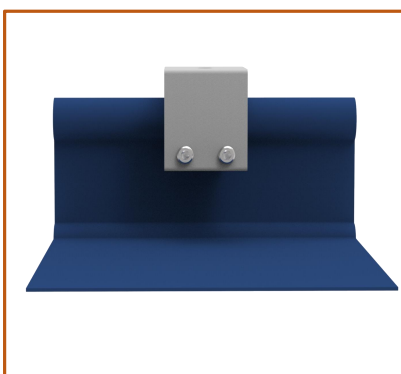


Step 1:
Confirm the round-bulb seams.

PS: Seam width \leq 23mm

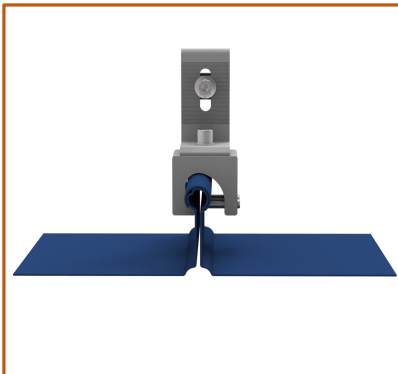


Step 2:
Confirm the Clamp position and attach the Clamp on roof seam.



Step 3:
Fasten clamp on side with 2 blind rivets.

Torque value:
12 N.m



Step 4:
Install L feet on clamp and then connect rail system.

Torque value:
12 N.m